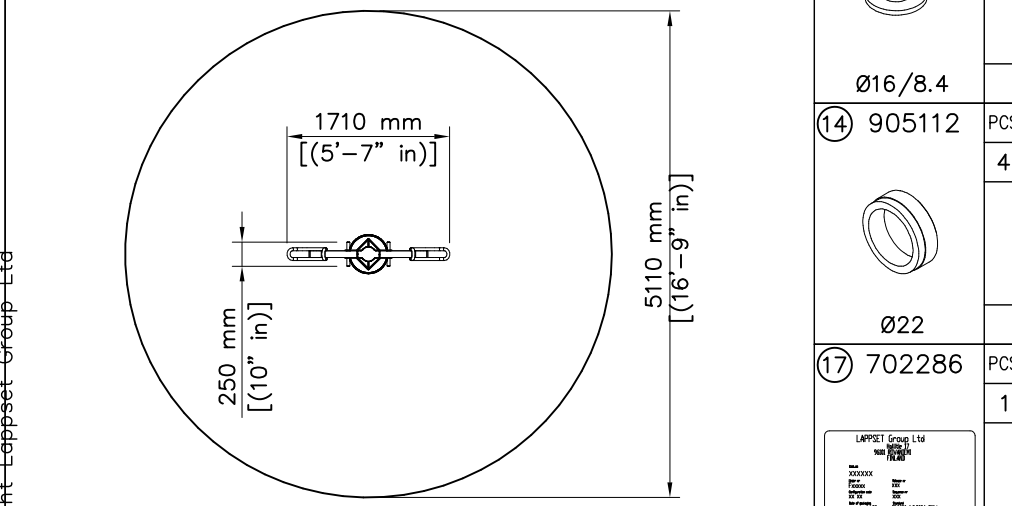
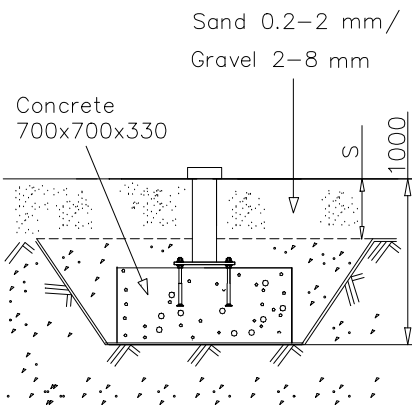


EN Impact Area 20.5 m² (220 sq ft)
Max falling height 1000 mm. (3'-3" in)

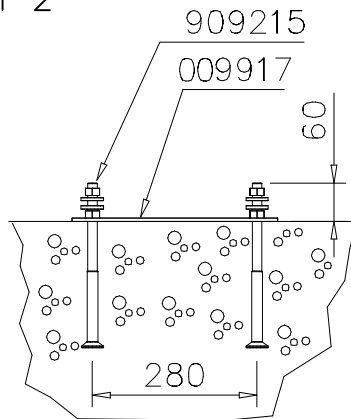


① 001104	PCS	② 009923	PCS
	1		2
③ 909895	PCS	④ 009914	PCS
	2		1
⑤ 009917	PCS	⑥ 909215	PCS
	1		4
		M16x280	
⑦ 909520	PCS	⑧ 903158	PCS
	4		4
Ø30/17		M16	
⑨ 909851	PCS	⑩ 909203	PCS
	8		2
8x55		8x75	
⑪ 980151	PCS	⑫ 909196	PCS
	6		2
Ø16/8.4		8x220	
⑬ 905023	PCS	⑭ 905112	PCS
	4		4
		Ø22	
⑮ 980150	PCS	⑯ 905103	PCS
	2		2
M8		PT-28/32	
⑰ 702286	PCS	⑱ 909506	PCS
	1		4
		Ø3.5x13 A2	
90x50			
		65x65	

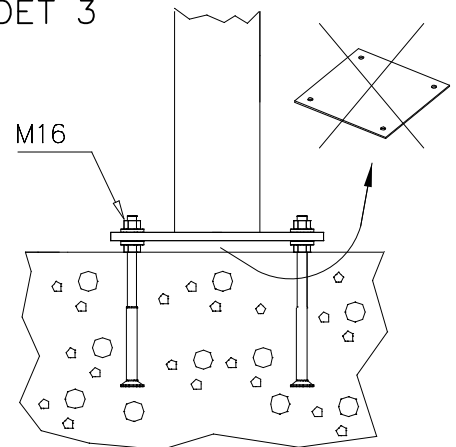
DET 1



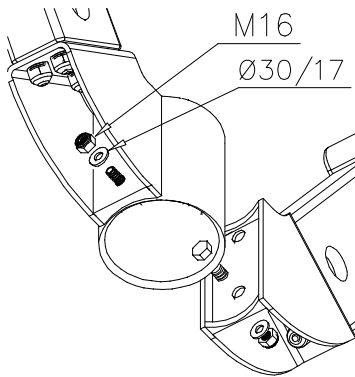
DET 2



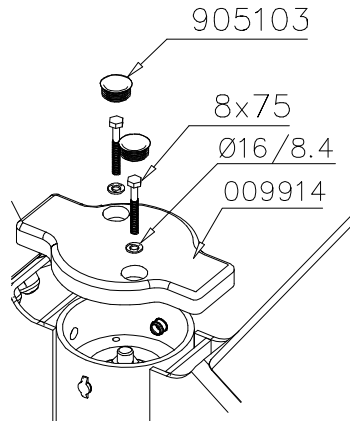
DET 3



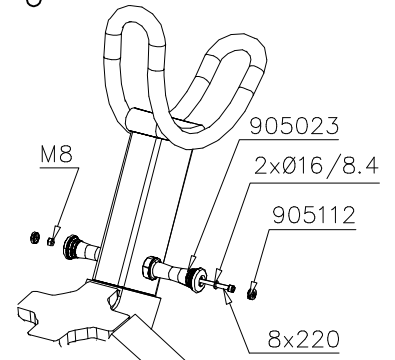
DET 4



DET 5



DET 6



DET 7

