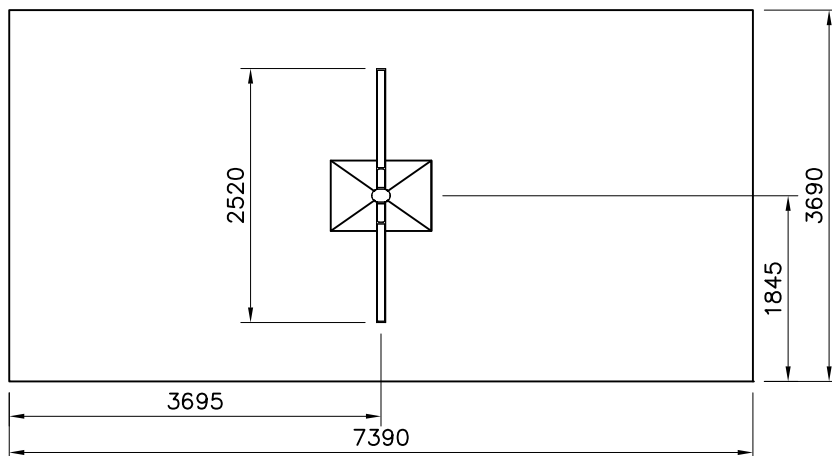


EN Impact Area 27.3 mm
 Falling space 27.3 mm
 MAX FALLING HEIGHT 1200 mm.



① 702754	PCS	② 006895	PCS
	2		2
L 1200		L 2050	
③ 929344	PCS	④ 902523	PCS
	1		1
		120x120x3000	
⑤ 907578	PCS	⑥ 905994	PCS
	4		2
		L 967	
⑦ 980151	PCS	⑧ 909851	PCS
	6		6
Ø16/8.4		M8x55	
⑨ 980107	PCS	⑩ 980129	PCS
	16		8
Ø6x60		Ø5x35	
	PCS		PCS
	PCS		PCS
	PCS		PCS

<p>DET 1</p> <p>Concrete K30 800x800x400</p> <p>800</p> <p>80</p> <p>200</p> <p>Reinforcement steels Ø8 #90</p>	<p>DET 2</p>	
<p>DET 3</p> <p>M16</p>	<p>DET 4</p> <p>006895</p> <p>M8x55</p> <p>Ø16/8.4</p>	<p>DET 5</p> <p>Ø6x60</p>
<p>DET 6</p> <p>905067</p> <p>Ø6x60 (980107)</p>	<p>DET 7</p> <p>Ø5x35</p>	<p>DET 8</p>